

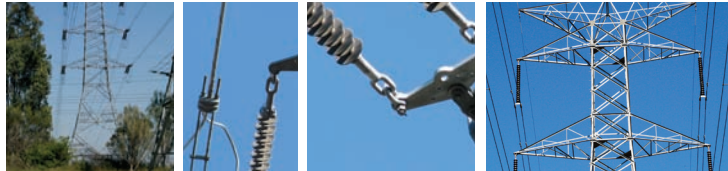
HARDWARE & ACCESSORIES

“ Preformed Line Products has an extensive range of standard fittings that are available off the shelf. ”

HARDWARE & ACCESSORIES

- 100 LINK (SINGLE PLATE)
- 101 LINK (DOUBLE PLATE)
- 102 SAG LINK
- 102 ADAPTOR
- 103 LINK (SINGLE PLATE)
- 103 SINGLE CONVERSION LINK
- 104 PARALLEL LINK
- 104 PARALLEL CONVERSION LINK
- 105 CRANKED LINK
- 107 LANDING PLATE
- 108 SAG ADJUSTER PLATE
- 108 SAG ADJUSTER ASSEMBLY
- 109 YOKE PLATE
- 110 YOKE PLATE - TRIANGULAR/RECTANGULAR
- 111 TRIANGULAR YOKE PLATE
- 112 TRIANGULAR YOKE PLATE - FOR ARCING HORN
- 114 H TYPE YOKE PLATE - FOR ARCING HORN
- 115 BALL CLEVIS
- 117 BALL Y CLEVIS
- 118 Y CLEVIS EYE
- 119 TWISTED CLEVIS EYE
- 119 TWISTED Y CLEVIS EYE
- 121 BALL EYE LINK
- 122 BALL EYE LINK FOR ARCING HORN
- 124 BALL ENDED EYE LINK FOR ARCING HORN
- 125 TWISTED BALL ENDED EYE LINK
- 125 TWISTED BALL CLEVIS FOR ARCING HORN
- 126 TWISTED BALL EYE LINK FOR ARCING HORN
- 127 OVAL BALL EYE LINK
- 127 BALL TONGUE FOR ARCING HORN
- 129 SELF LOCK BALL HOOK
- 130 TONGUE HOOK
- 131 BALL HOOK SHORT SHANK
- 131 BALL HOOK LONG SHANK
- 133 BALL ENDED HOOK
- 132 SHACKLES
- 134 BOW SHACKLE
- 135 TWISTED BOW SHACKLE
- 135 V SHACKLE BOLT TYPE
- 136 D SHACKLES
- 136 STIRRUP
- 137 SOCKET CLEVIS FOR ARCING HORN
- 138 SOCKET CLEVIS
- 142 SOCKET CLEVIS FOR ARCING HORN 67/31
- 142 TWISTED SOCKET CLEVIS FOR ARCING HORN
- 143 SOCKET CLEVIS ADAPTOR FOR ARCING HORN
- 143 SOCKET EYE FOR ARCING HORN
- 145 SOCKET EYE
- 146 SOCKET 'Y' CLEVIS
- 146 SOCKET THIMBLE
- 148 SOCKET EYE FOR ARCING HORN
- 148 SOCKET TONGUE
- 149 SOCKET TONGUE FOR ARCING HORN
- 150 TWISTED SOCKET TONGUE
- 150 TWISTED Y CLEVIS TONGUE
- 151 TWISTED CLEVIS TONGUE - RIVET TYPE
- 151 TWISTED CLEVIS TONGUE - BOLT TYPE
- 152 TWISTED CLEVIS TONGUE
- 152 CLEVIS TONGUE
- 153 CLEVIS EYE
- 154 CLEVIS THIMBLE TERMINATION
- 156 CHAIN LINK
- 156 TWISTED EYE TONGUE
- 158 TWISTED EYE TONGUE FOR ARCING HORN
- 158 OPEN THIMBLE
- 159 CIRCULAR CLOSED THIMBLE
- 160 TWISTED EYE/EYE EXTENSION LINK
- 161 EYE/EYE EXTENSION LINK
- 163 CLEVIS EYE EXTENSION LINK
- 163 CLEVIS CLEVIS EXTENSION STRAP 18"
- 164 CLEVIS /EYE TURNBUCKLES
- 164 EYE/EYE TURNBUCKLES
- 165 CLEVIS/CLEVIS TURNBUCKLES

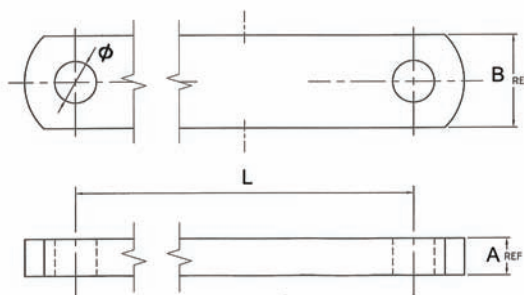
HARDWARE FITTINGS



LINK (SINGLE PLATE)

AUSTRALIAN STANDARD (AS)

Part Number	Drawing Number	Ref Code	Min. Breaking Strength (kN)	A (mm)	B (mm)	L (mm)	Hole Dia (mm)
A62879-000	52849	PLP-SPL12076	120	16	40	76	Ø18
EA3781-000	52849	PLP-SPL120215	120	16	40	215	Ø18
861792-000	52849	PLP-SPL120300	120	16	40	300	Ø18
849470-000	52849	PLP-SPL120400	120	16	40	400	Ø18
802002-000	42128	PLP-SPL16007	44	20	65	76	Ø35 , Ø22
F41925-000	23764	PLP-SPL16076	160	20	50	76	Ø22
CB4342-000	23764	PLP-SPL160100	160	20	50	100	Ø22
CP9858-000	23764	PLP-SPL160150	160	20	50	150	Ø22
A51906-000	23764	PLP-SPL160511	160	20	50	511	Ø22
D67457-000	26084	PLP-SPL160100AH	160	20	50	100	Ø22
D36790-000	25960	PLP-SPL160130V	160	20	50	130	Ø22



Material: Galvanized Steel

HARDWARE FITTINGS



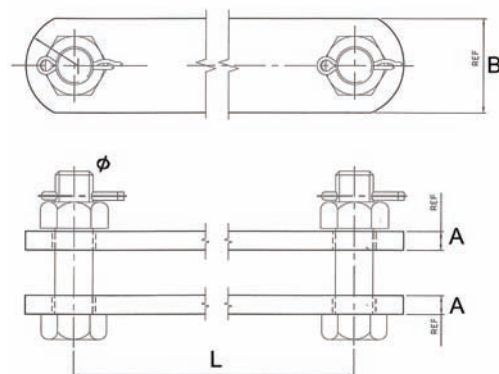
LINK (DOUBLE PLATE)

AUSTRALIAN STANDARD (AS)

Part Number	Drawing Number	Ref Code	Min. Breaking Strength (kN)	A (mm)	B (mm)	L (mm)	Bolt Size (mm)
CF1388-000	23681	PLP-DPL70100	70	8	40	100	Ø16
CG2618-000	22712	PLP-DPL16011	160	10	50	110	Ø20
108186-000	22712	PLP-DPL16100	160	10	50	100	Ø20
CG2625-000	22712	PLP-DPL16011	160	10	50	115	Ø20
CP5958-000	22712	PLP-DPL16012	160	10	50	125	Ø20
CG2626-000	22712	PLP-DPL16013	160	10	50	130	Ø20
CG2628-000	22712	PLP-DPL16014	160	10	50	140	Ø20
CG2629-000	22712	PLP-DPL16014	160	10	50	145	Ø20
CG2630-000	22712	PLP-DPL16015	160	10	50	150	Ø20
775548-000	22712	PLP-DPL16150	160	10	50	150	Ø20
CG2631-000	22712	PLP-DPL16016	160	10	50	165	Ø20
CG2632-000	22712	PLP-DPL16017	160	10	50	170	Ø20
CG2633-000	22712	PLP-DPL16017	160	10	50	175	Ø20
CG2634-000	22712	PLP-DPL16018	160	10	50	180	Ø20
CG2636-000	22712	PLP-DPL16020	160	10	50	200	Ø20
331984-000	22712	PLP-DPL16200	160	10	50	200	Ø20
CG2637-000	22712	PLP-DPL16022	160	10	50	220	Ø20
CG2638-000	22712	PLP-DPL16024	160	10	50	240	Ø20
CG2639-000	22712	PLP-DPL16026	160	10	50	260	Ø20
CG2640-000	22712	PLP-DPL16027	160	10	50	270	Ø20
CG2641-000	22712	PLP-DPL16027	160	10	50	275	Ø20
CG2642-000	22712	PLP-DPL16030	160	10	50	300	Ø20
CG2643-000	22712	PLP-DPL16033	160	10	50	330	Ø20
CG2644-000	22712	PLP-DPL16035	160	10	50	350	Ø20
CG2645-000	22712	PLP-DPL16041	160	10	50	410	Ø20



Material: Galvanized Steel



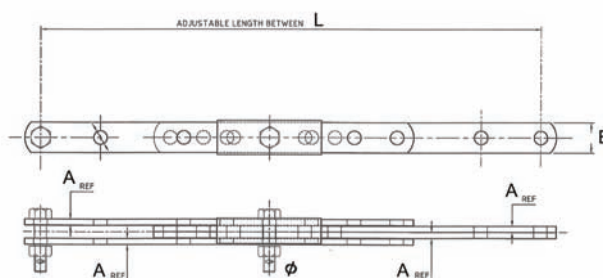
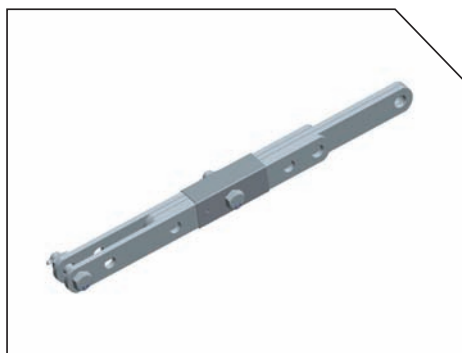
HARDWARE FITTINGS



SAG LINK

AUSTRALIAN STANDARD (AS)

Part Number	Drawing Number	Ref Code	Min. Breaking Strength (kN)	A (mm)	B (mm)	L (mm)	Bolt Size (mm)
827038-000	51662	PLP-SL70	70	4x8	40	557-974	Ø16
704088-000	22598	PLP-SL70S	70	4x8	40	240-350	Ø16
CA3928-000	SL120240	PLP-SL120240	120	4x8	40	240-350	Ø16
CA3929-000	SL120557	PLP-SL120557	120	4x8	40	557-974	Ø16
838432-000	52989	PLP-SL120A	120	4x8	40	557-974	Ø16
548876-000	52988	PLP-SLDD2988	160	4x10	50	702-1075	Ø20
406542-000	SL160557	PLP-SL160557	160	4x10	50	557-974	Ø20
319964-000	24478	PLP-SL160SJ	160	4x10	50	240-350	Ø20

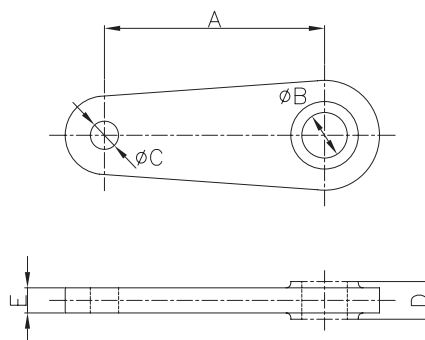
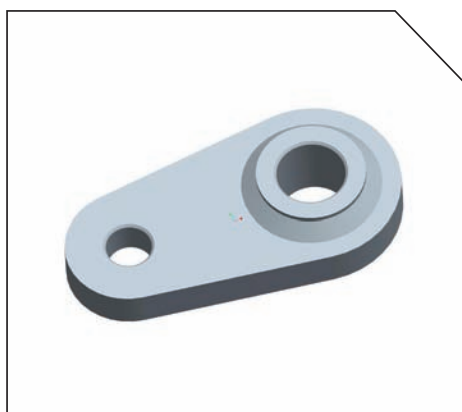


Material: Galvanized Steel

ADAPTOR

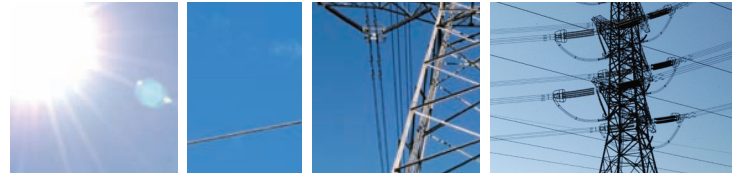
BRITISH STANDARD (BS)

Part Number	Drawing Number	Ref Code	Min. Breaking Strength (kN)	A (mm)	B (mm)	C (mm)	D (mm)	E (mm)
270914-000	DK92091/01	15/27B	70	76	Ø27	Ø18	32	16
CJ7877-000	DK92091/02	15/27C	70	76	Ø29	Ø18	38	16
K71177-000	DK92090	15/27D	70	140	Ø29	Ø18	24	16
083004-000	DK92191	28/27B	125	76	Ø27	Ø22	32	20
674232-000	DK92192/02	28/47	125	108	Ø29	Ø22	38	20



Material: Galvanized Steel

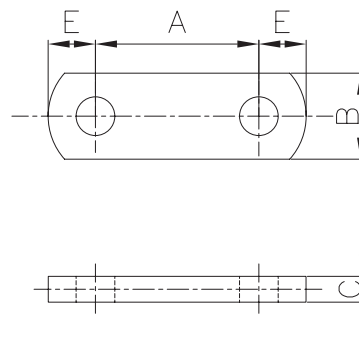
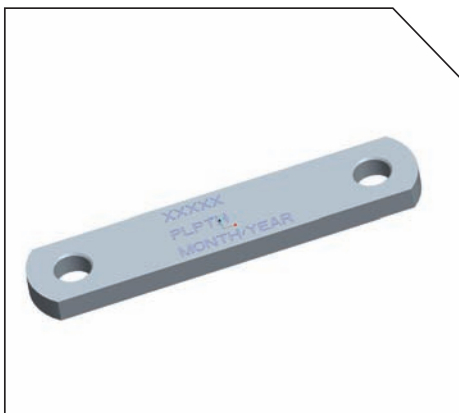
HARDWARE FITTINGS



LINK (SINGLE PLATE)

BRITISH STANDARD (BS)

Part Number	Drawing Number	Ref Code	Min. Breaking Strength (kN)	A (mm)	B (mm)	C (mm)	E (mm)	Hole Dia (mm)
F07061-000	DK92011	15/86	70	58	40	12	22	Ø18
C29271-000	DK92002/02	15/86	70	76	40	12	22	Ø18
563126-000	DK92002/03	15/86	70	150	40	12	22	Ø18
628596-000	DK92101/02	28/86	125	150	50	20	29	Ø22
A25322-000	DK92201	42/86	190	150	65	22	38	Ø27
515832-000	DK92309	67/86	300	150	80	25	45	Ø29
328838-000	DK92307	67/86	300	180	80	25	45	Ø29
E96283-000	A4DD17848T	67/86	300	200	80	25	45	Ø29

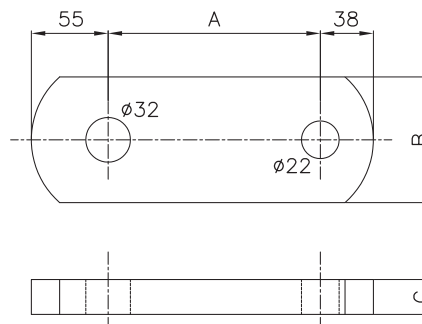
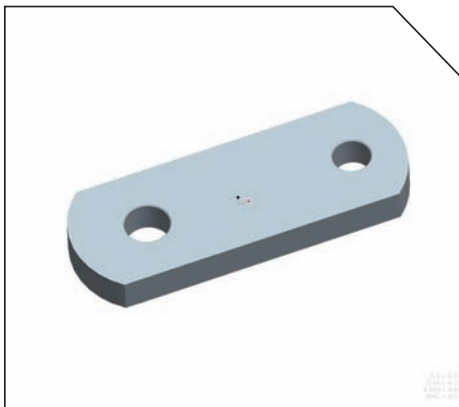


Material: Galvanized Steel

SINGLE CONVERSION LINK

BRITISH STANDARD (BS)

Part Number	Drawing Number	Ref Code	Min. Breaking Strength (kN)	A (mm)	B (mm)	C (mm)	Hole Dia (mm)
415234-000	DK92250	42/115	190	152	90	25	Ø22, Ø32



Material: Galvanized Steel

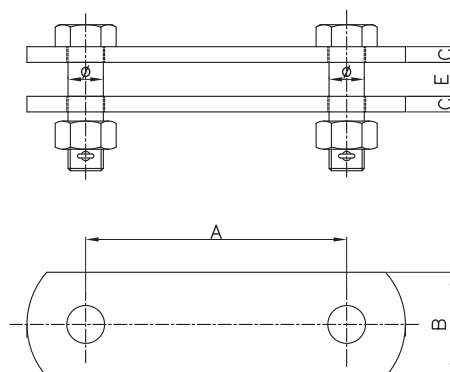
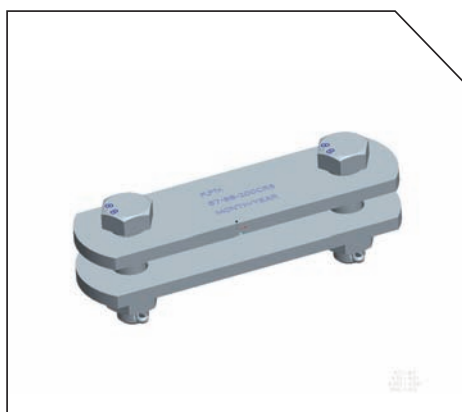
HARDWARE FITTINGS



PARALLEL LINK

BRITISH STANDARD (BS)

Part Number	Drawing Number	Ref Code	Min. Breaking Strength (kN)	A (mm)	B (mm)	C (mm)	E (mm)	Bolt Size (mm)
649652-000	DK92126/02	28/88A	125	150	65	8	30	Ø20
276496-000	DK92303/02	67/88	300	200	80	12	45	Ø27
671562-000	DK92387/02	84/88	400	152	90	12	55	Ø30

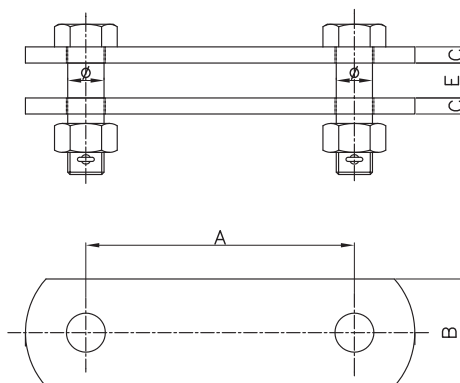
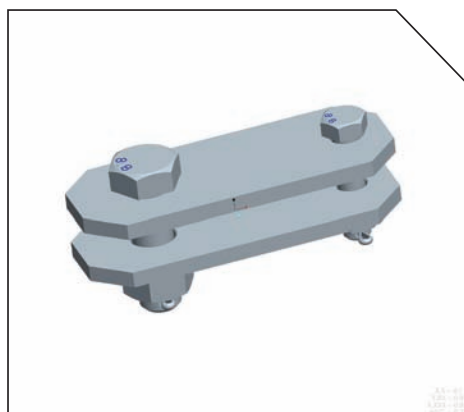


Material: Galvanized Steel

PARALLEL CONVERSION LINK

BRITISH STANDARD (BS)

Part Number	Drawing Number	Ref Code	Min. Breaking Strength (kN)	A (mm)	B (mm)	C (mm)	E (mm)	Bolt Size (mm)
826214-000	DK92132/02	28/89A	125	150	90	12	30	Ø30, Ø20
CL6016-000	A4DD16409T	42/89A	190	150	90	12	35	Ø30, Ø24
496594-000	DK92306/02	67/89A	300	150	90	12	45	Ø30, Ø27



Material: Galvanized Steel

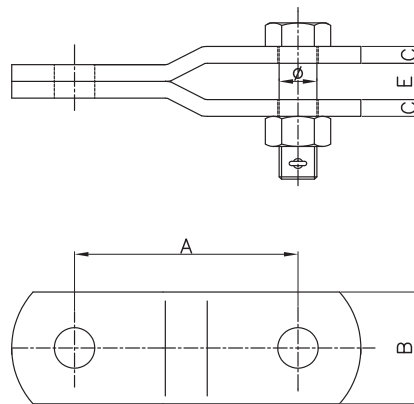
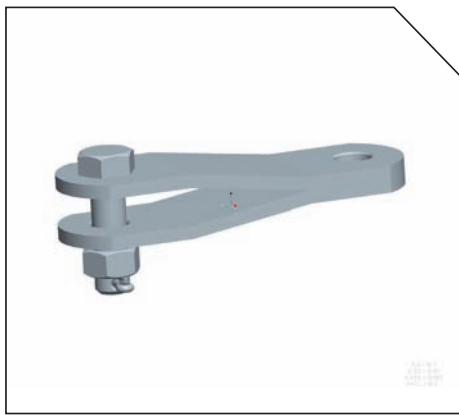
HARDWARE FITTINGS



CRANKED LINK

BRITISH STANDARD (BS)

Part Number	Drawing Number	Ref Code	Min. Breaking Strength (kN)	A (mm)	B (mm)	C (mm)	E (mm)	Bolt Size (mm)
245810-000	DK92052/02	15/87A	70	150	40	6	22	Ø16
296614-000	DK92151/02	28/87A	125	150	65	8	29	Ø20
C03095-000	C-1856357	28/87A	125	508	65	8	29	Ø20
CG4208-000	DK92151/06	28/87A	125	300	65	8	29	Ø20
E63108-000	DK92253/02	42/87A	190	150	70	10	38	Ø24
658624-000	DK92301/02	67/87A	300	160	80	12	45	Ø27
063238-000	DK92304/02	67/87A	300	200	80	12	45	Ø27

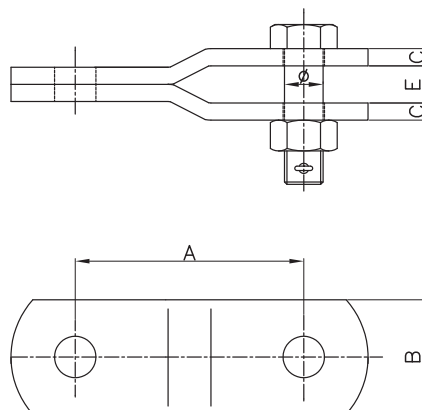
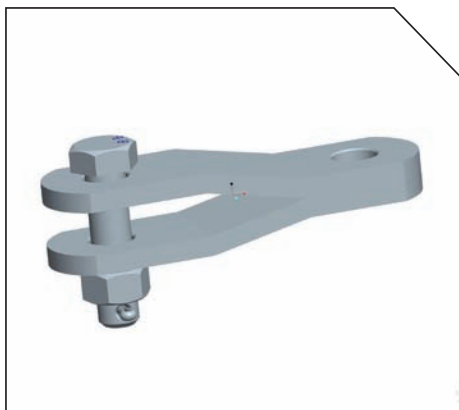


Material: Galvanized Steel

CRANKED LINK

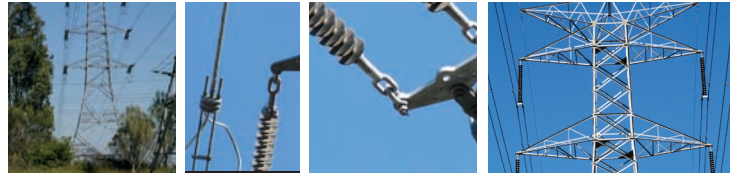
BRITISH STANDARD (BS)

Part Number	Drawing Number	Ref Code	Min. Breaking Strength (kN)	A (mm)	B (mm)	C (mm)	E (mm)	Bolt Size (mm)
539016-000	DK92251/02	42/102A	190	152	65	12	38	Ø24
613000-000	DK92383/02	84/102A	400	200	100	12	55	Ø30



Material: Galvanized Steel

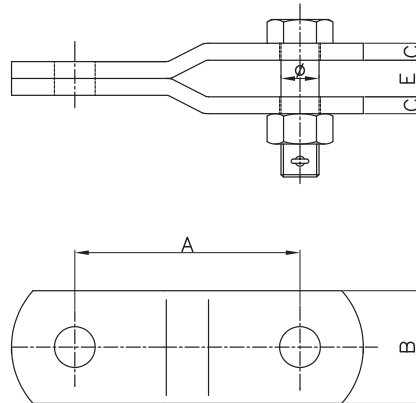
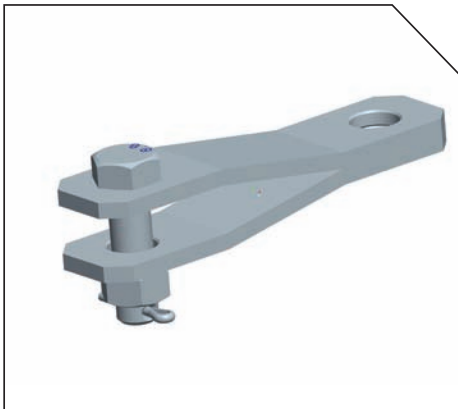
HARDWARE FITTINGS



CRANKED LINK (CONT.)

BRITISH STANDARD (BS)

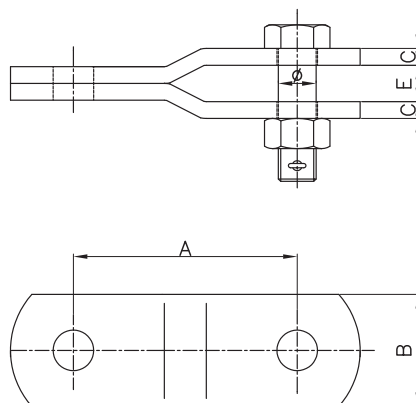
Part Number	Drawing Number	Ref Code	Min. Breaking Strength (kN)	A (mm)	B (mm)	C (mm)	E (mm)	Bolt Size (mm)
493512-000	DK92164/02	28/186A	125	150	50	8	30	Ø20



Material: Galvanized Steel

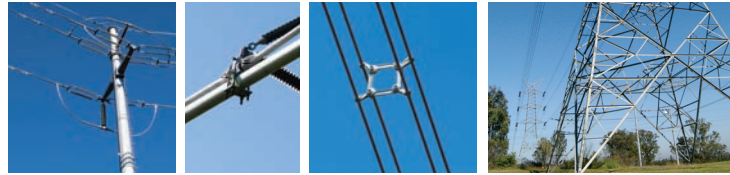
BRITISH STANDARD (BS)

Part Number	Drawing Number	Ref Code	Min. Breaking Strength (kN)	A (mm)	B (mm)	C (mm)	E (mm)	Bolt Size (mm)
343662-000	DK92160	28/187A	125	127	65	10	30	Ø20



Material: Galvanized Steel

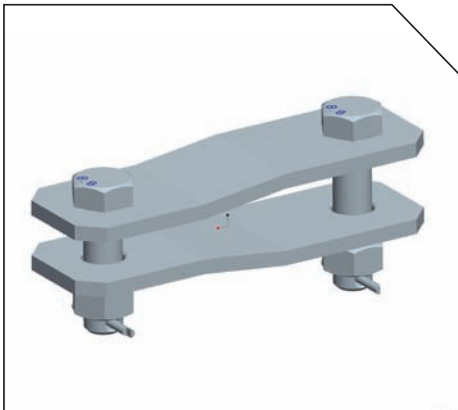
HARDWARE FITTINGS



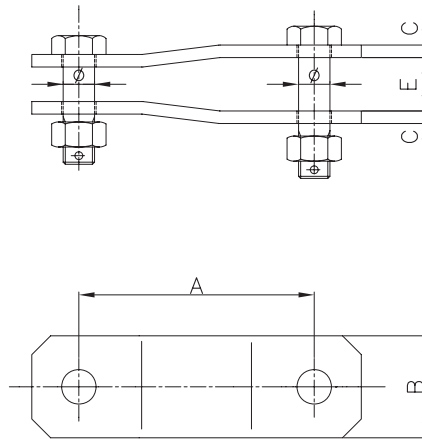
CRANKED LINK (CONT.)

BRITISH STANDARD (BS)

Part Number	Drawing Number	Ref Code	Min. Breaking Strength (kN)	A (mm)	B (mm)	C (mm)	E (mm)	Bolt Size (mm)
962256-000	DK92162	28/188A	125	150	65	8	30	Ø20



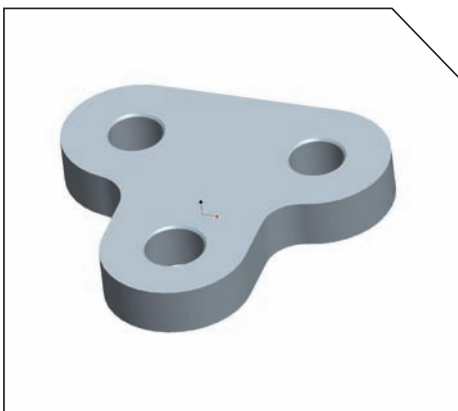
Material: Galvanized Steel



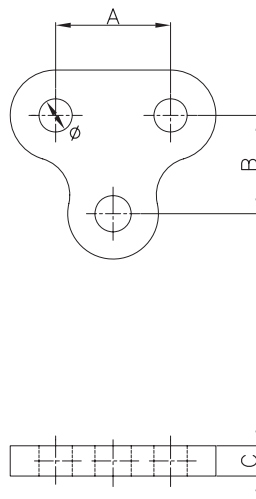
LANDING PLATE

BRITISH STANDARD (BS)

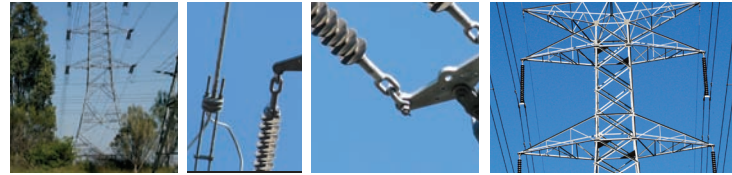
Part Number	Drawing Number	Ref Code	Min. Breaking Strength (kN)	A (mm)	B (mm)	C (mm)	Hole Dia (mm)
906536-000	DK92086	15/21	70	76	57	16	Ø18
934782-000	DK92186	28/21	125	76	65	20	Ø22 , Ø24
CJ3189-000	DK92286	42/21	190	76	65	22	Ø24



Material: Galvanized Steel



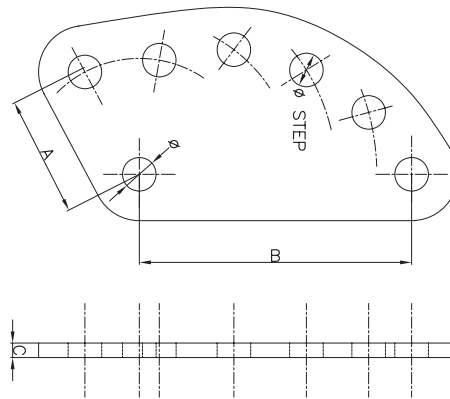
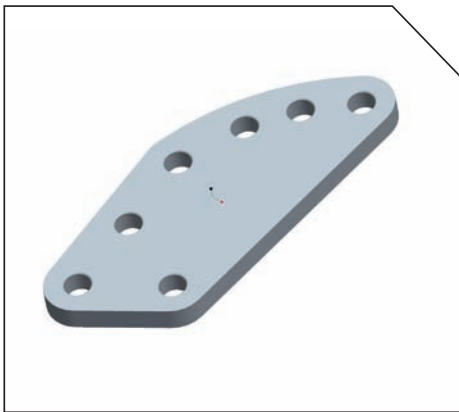
HARDWARE FITTINGS



SAG ADJUSTER PLATE

BRITISH STANDARD (BS)

Part Number	Drawing Number	Ref Code	Min. Breaking Strength (kN)	A (mm)	B (mm)	C (mm)	Hole Dia (mm)	Step Hole Dia (mm)
F33384-000	DK92176	28/100	125	75	225	20	Ø22	Ø22
911962-000	DK92376	67/100	300-PAIR	100	235	12.5	Ø29	Ø29
797606-000	DK92377	67/101	300-PAIR	165	200	12.5	Ø29	Ø29

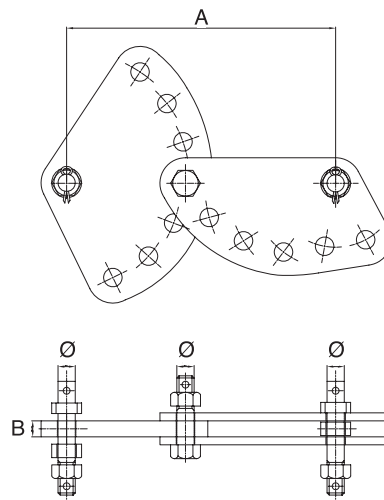
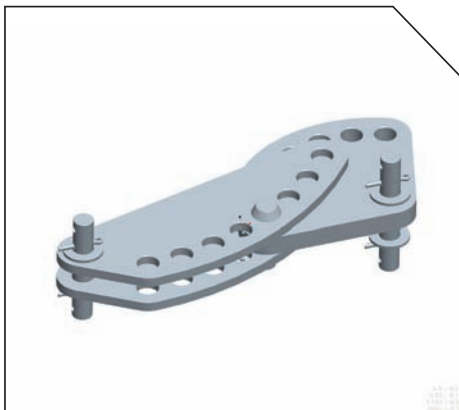


Material: Galvanized Steel

SAG ADJUSTER ASSEMBLY

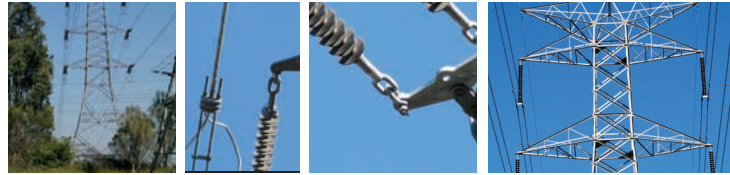
BRITISH STANDARD (BS)

Part Number	Drawing Number	Ref Code	Min. Breaking Strength (kN)	A (mm)	B (mm)	Bolt Size (mm)
774482-000	DK92278/02	190KN Type L	190	209-508	25	Ø25
D76796-000	DK92278/03	190KN Type M	190	209-508	25	Ø25
E32161-000	DK92374/02	300KN	300	265-435	25	Ø27
A34180-000	DK92386/02	400KN	400	280-580	25	Ø30



Material: Galvanized Steel

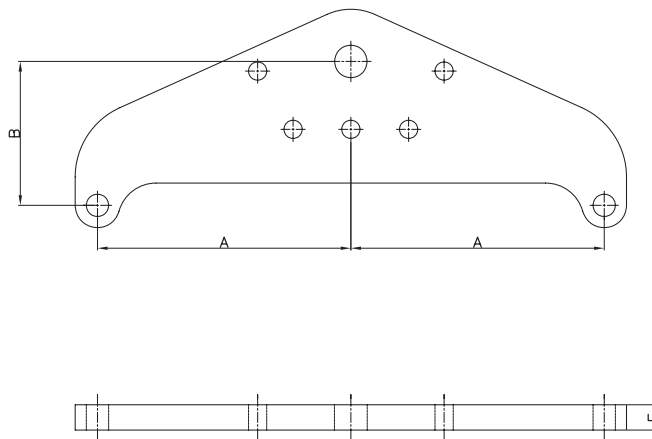
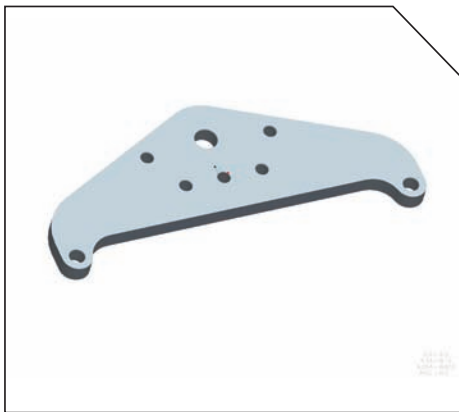
HARDWARE FITTINGS



YOKE PLATE

BRITISH STANDARD (BS)

Part Number	Drawing Number	Ref Code	Min. Breaking Strength (kN)	A (mm)	B (mm)	E (mm)
A22779-000	DK91267	67/40 For weight attachment	300	250-250	142	25
E75746-000	DK91266	67/40	300	250-250	142	25
489652-000	DK91260	67/42	300	250-250	142	25

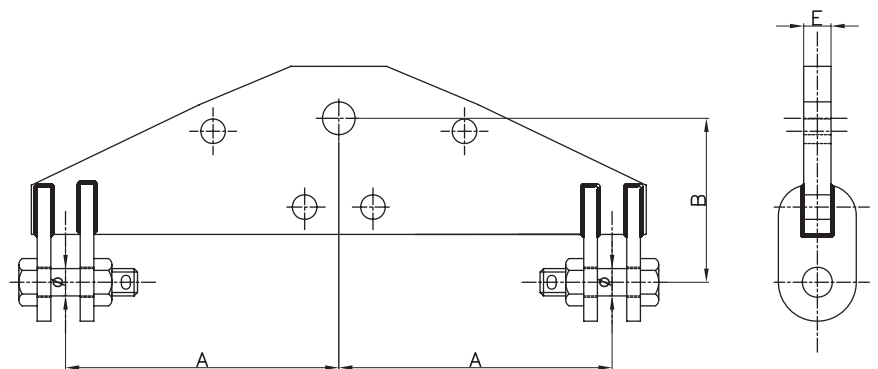
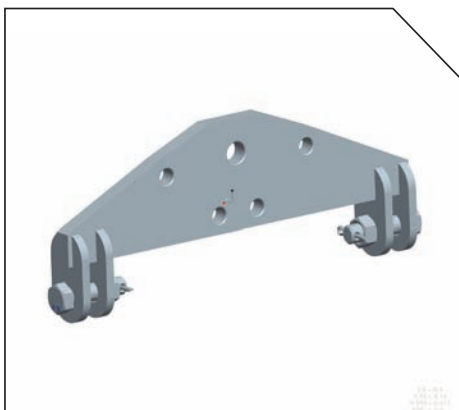


Material: Galvanized Steel

YOKE PLATE

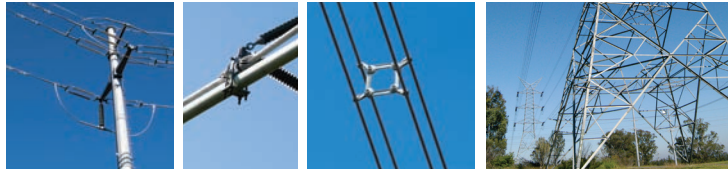
BRITISH STANDARD (BS)

Part Number	Drawing Number	Ref Code	Min. Breaking Strength (kN)	A (mm)	B (mm)	E (mm)	Bolt Size (mm)
F64301-000	DK91142/02	28/22A	125	150-150	120	16	Ø16
033490-000	DK91244/02	42/22A	190	150-150	120	20	Ø20
116588-000	DK91242	42/124A	190	200-200	120	20	Ø20

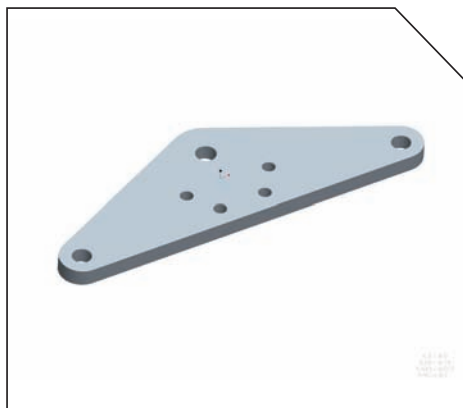


Material: Galvanized Steel

HARDWARE FITTINGS



YOKE PLATE



Material: Galvanized Steel

BRITISH STANDARD (BS)

Part Number	Drawing Number	Ref Code	Min. Breaking Strength (kN)
A04344-000	DK91143	28/43	125
322474-000	DK91262	84/40	400
E30833-000	DK91271	84/41	400
596348-000	DK91201	42/42	190
304720-000	DK91245	42/106	190
F31438-000	DK91268	67/53	300
954474-000	DK91270	84/38C	400

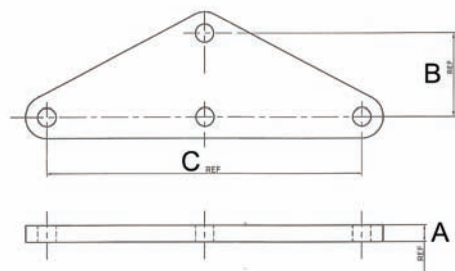
YOKE PLATE - TRIANGULAR/RECTANGULAR



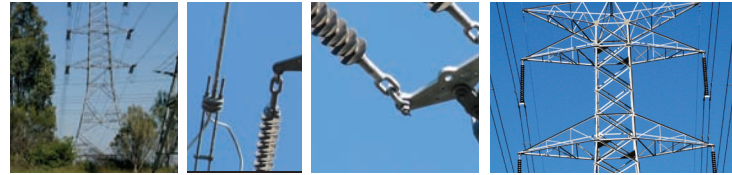
Material: Galvanized Steel

AUSTRALIAN STANDARD (AS)

Part Number	Drawing Number	Ref Code	Min. Break Strength (kN)	A (mm)	B (mm)	C (mm)
CA3922-000	YPT70380	PLP-YPT70380	70	16	70	380
CA3923-000	YPT70460	PLP-YPT70460	70	16	80	460
CA3924-000	YPT120380	PLP-YPT120380	120	16	100	380
308442-000	YPT125A	PLP-YPT125A	125	20	75	125
CA3926-000	YPT160380	PLP-YPT160380	160	20	100	380
CA3927-000	YPT160460	PLP-YPT160460	160	20	100	460
CM9630-000	AU28443	PLP-YPT160520G	160	20	125	520
067552-000	25307	PLP-YPT160TEN	160	20	100	380
717124-000	23356	PLP-YPT23356	160	20	100	380
996880-000	24603	PLP-YPT24603	160	20	125	460
226682-000	24625	PLP-YPT24625	160	20	125	460
911510-000	24767	PLP-YPT24767	160	20	125	380
A21472-000	26150	PLP-YPT26150	70	16	76	460
CB3242-000	YPT320380S	PLP-YPT320380S	320/160	20	130	380
CF1387-000	YPR120380	PLP-YPR120380	120	16	100	380
CM9631-000	AU28436	PLP-YPR160520	160	20	125	520
813588-000	23369	PLP-YPR1638N	160	20	125	380
944384-000	24611	PLP-YPR24611	160	20	125	460
921858-000	25605	PLP-YPR25605	120	16	76	240
CA5864-000	26037	PLP-YPR26037	120	16	96.5	500
F98035-000	26151	PLP-YPR26151	160	20	125	500
CJ1154-000	51580	PLP-YPHA31580	-	20	100/200	200
A83577-000	51579	PLP-YPQ160460	160	20	125/460	560



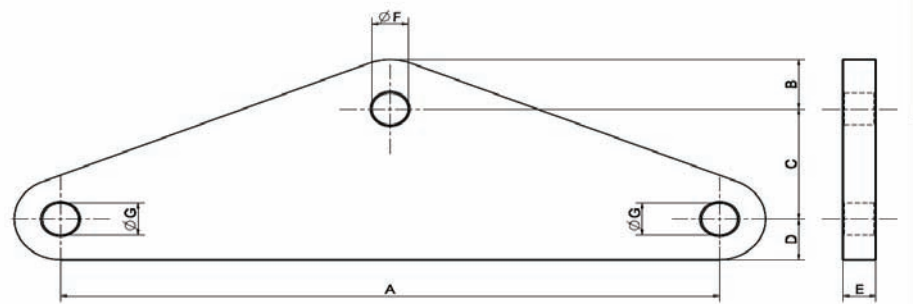
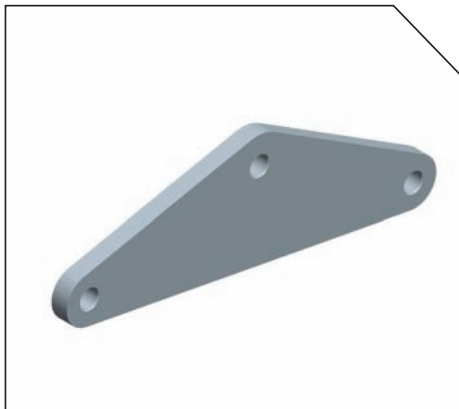
HARDWARE FITTINGS



TRIANGULAR YOKE PLATE

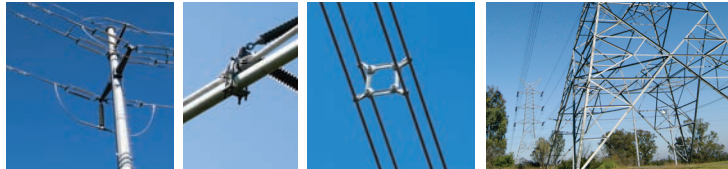
GENERAL DESIGN

Part Number	Drawing Number	Min. Breaking Strength (kN)	A (mm)	B (mm)	C (mm)	D (mm)	E (mm)	F (mm)	G (mm)
CB3459-000	A4DD15706T	120	150	30	76	24	16	Ø18	Ø18
476448-000	A4DD07457T	120	150	30	76	24	16	Ø22	Ø18
248230-000	A4DD10569T	120	200	30	76	24	16	Ø18	Ø18
044886-000	A4DD07458T	120	200	30	76	24	16	Ø18	Ø22
E62281-000	A4DD4372T	120	200	30	76	24	16	Ø22	Ø18
CB2369-000	A4DD17573T	120	200	32	76	24	16	Ø24	Ø18
CB8220-000	A4DD17852T	120	200	32	76	28	16	Ø24	Ø22
CB3460-000	A4DD15707T	120	300	30	76	26	16	Ø18	Ø18
466370-000	A4DD07414T	120	330	30	76	24	16	Ø18	Ø18
635816-000	A4DD1054T	137	330	32	76	24	16	Ø22	Ø18
732036-000	A4DD1426T	120	400	30	76	24	16	Ø18	Ø18
F11425-000	A4DD14394T	128	400	30	76	24	16	Ø22	Ø18
252784-000	A4DD17853T	120	400	30	76	28	16	Ø18	Ø24
CB1520-000	A4DD16753T	120	450	30	76	28	16	Ø18	Ø18
E54401-000	A4DD14551T	120	457	30	120	26	16	Ø18	Ø18
C32527-000	A4DD10262T	160	330	32	76	24	20	Ø18	Ø18
P00540-000	A4DD07535T	160	330	32	76	24	20	Ø22	Ø18
A16587-000	A4DD14022T	160	400	34	76	28	20	Ø22	Ø22
057854-000	A3DD4735T	160	400	32	76	28	20	Ø24	Ø18
571784-000	A3DD1439T	160	400	32	76	28	20	Ø24	Ø24
CL3586-000	A4DD07913T	162	457	35	90	30	20	Ø22	Ø22
679246-000	A4DD10375T	196	200	35	76	24	22	Ø24	Ø24
605084-000	A3DD1425T	260	400	38	76	28	22	Ø24	Ø24
E46262-000	A4DD14095T	240	400	45	76	26	22	Ø29	Ø18
F12534-000	A4DD14896T	320	450	50	76	30	22	Ø27	Ø22
CF4494-000	A4DD15555T	225	200	40	76	28	25	Ø24	Ø18



Material: Galvanized Steel

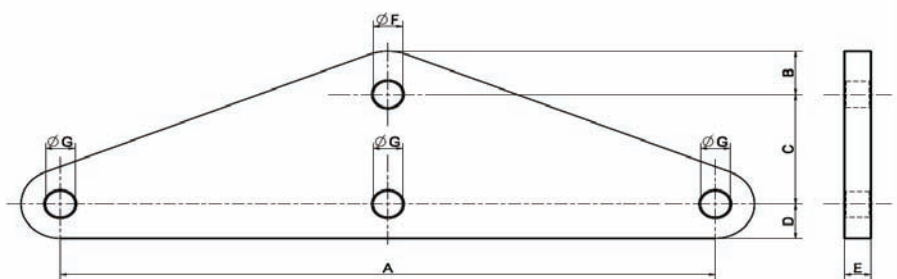
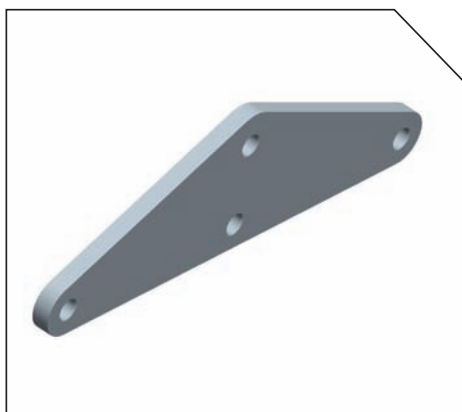
HARDWARE FITTINGS



TRIANGULAR YOKE PLATE (CONT.)

GENERAL DESIGN

Part Number	Drawing Number	Min. Breaking Strength (kN)	A (mm)	B (mm)	C (mm)	D (mm)	E (mm)	F (mm)	G (mm)
CB3459-000	A4DD16843T	120	150	30	76	24	16	Ø18	Ø18

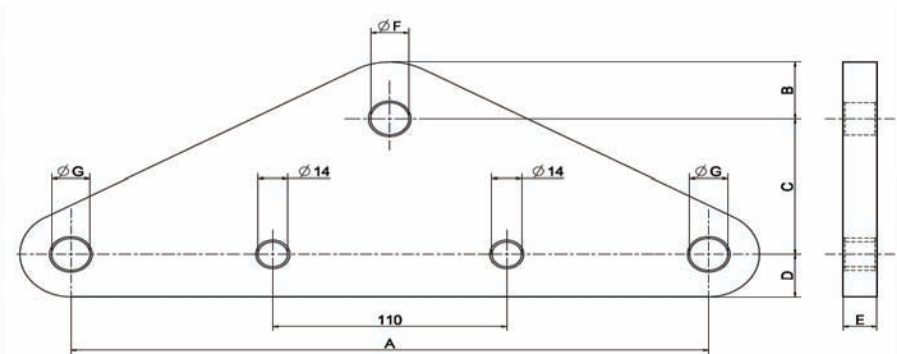
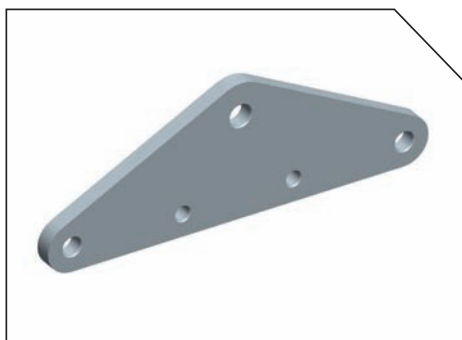


Material: Galvanized Steel

TRIANGULAR YOKE PLATE - FOR ARCING HORN

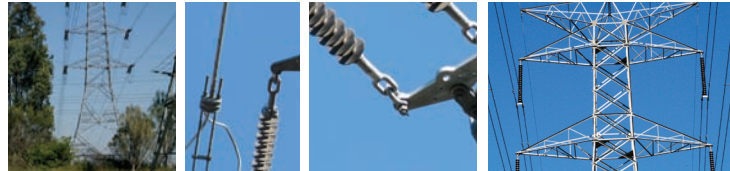
GENERAL DESIGN

Part Number	Drawing Number	Min. Breaking Strength (kN)	A (mm)	B (mm)	C (mm)	D (mm)	E (mm)	F (mm)	G (mm)
F27031-000	A4DD14042T	120	300	30	76	30	16	Ø18	Ø18
D82373-000	A4DD11665T	120	400	30	76	24	16	Ø18	Ø18
384428-000	A3DD4727T	127	400	30	76	24	16	Ø22	Ø18
236748-000	A4DD15429T	120	450	30	76	24	16	Ø18	Ø18
880474-000	A4DD17278T	120	500	30	76	24	16	Ø18	Ø18
184524-000	A3DD4783T	160	400	32	76	28	19	Ø22	Ø18
572330-000	A4DD17282T	160	500	37	76	25	20	Ø22	Ø18
985226-000	A4DD17876T	120	330	34	76	25	22	Ø18	Ø24
609704-000	A4DD17062T	260	330	42	76	28	22	Ø24	Ø24
D55426-000	A4DD14937T	260	400	38	76	28	22	Ø24	Ø24
D79313-000	A4DD14755T	240	400	54	76	29	22	Ø24	Ø22
869318-000	A4DD16841T	320	400	50	76	30	22	Ø26	Ø22
A64180-000	A4DD14892T	320	450	50	125	30	22	Ø27	Ø22



Material: Galvanized Steel

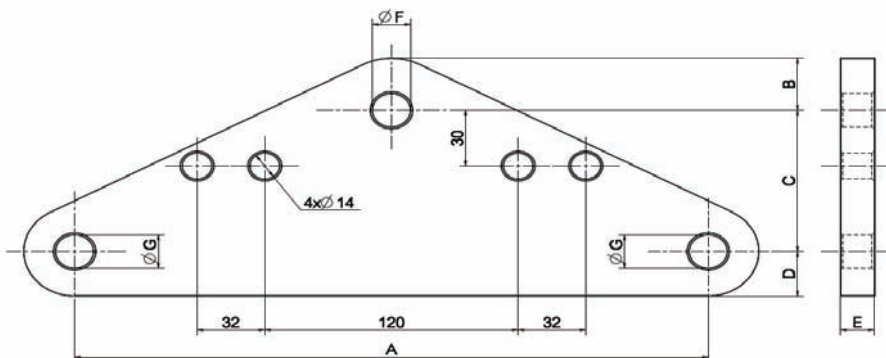
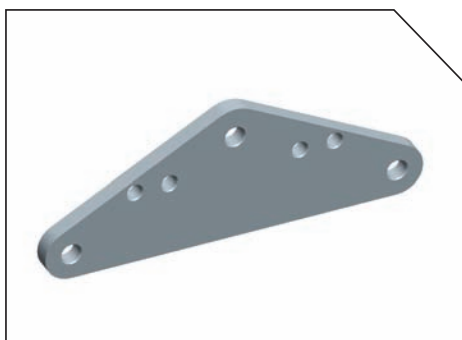
HARDWARE FITTINGS



TRIANGULAR YOKE PLATE - FOR ARCING HORN (CONT.)

GENERAL DESIGN

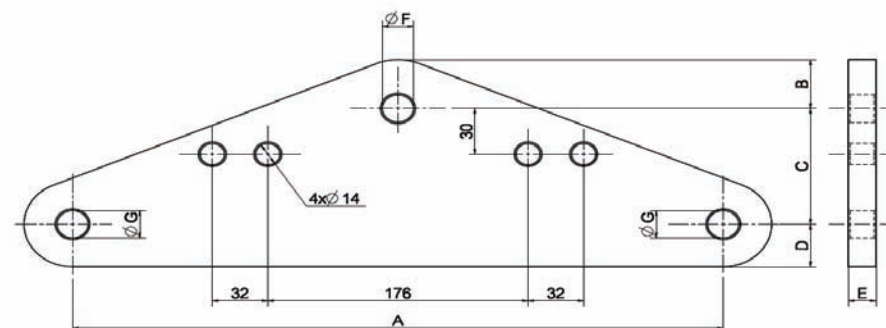
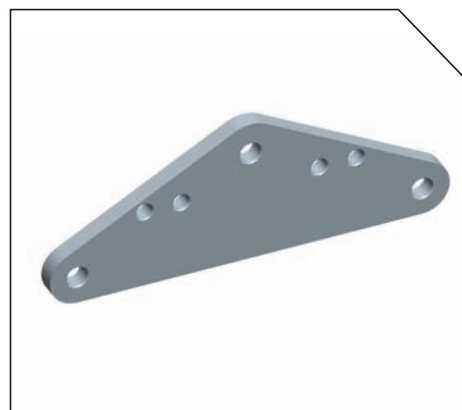
Part Number	Drawing Number	Min. Breaking Strength (kN)	A (mm)	B (mm)	C (mm)	D (mm)	E (mm)	F (mm)	G (mm)
C29736-000	A4DD14826T	120	330	28	76	24	16	Ø18	Ø18
D13109-000	A4DD08606T	120	330	28	76	24	16	Ø21	Ø18
776790-000	A4DD17066T	160	330	30	76	24	22	Ø22	Ø24



Material: Galvanized Steel

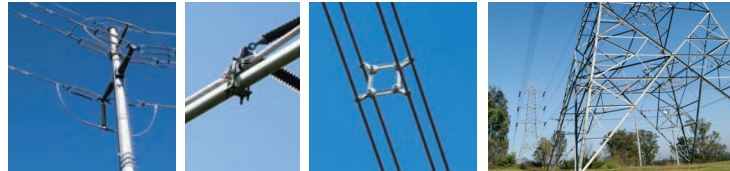
GENERAL DESIGN

Part Number	Drawing Number	Min. Breaking Strength (kN)	A (mm)	B (mm)	C (mm)	D (mm)	E (mm)	F (mm)	G (mm)
726436-000	A4DD16708T	120	400	32	76	28	16	Ø18	Ø18
C31641-000	A4DD18003T	140	400	35	76	28	16	Ø18	Ø18
P00463-000	A4DD17511T	160	400	32	76	28	19	Ø22	Ø18
F01691-000	A3DD4736T	160	400	32	76	28	19	Ø24	Ø24
276860-000	A4DD16844T	320	400	50	76	30	22	Ø26	Ø22



Material: Galvanized Steel

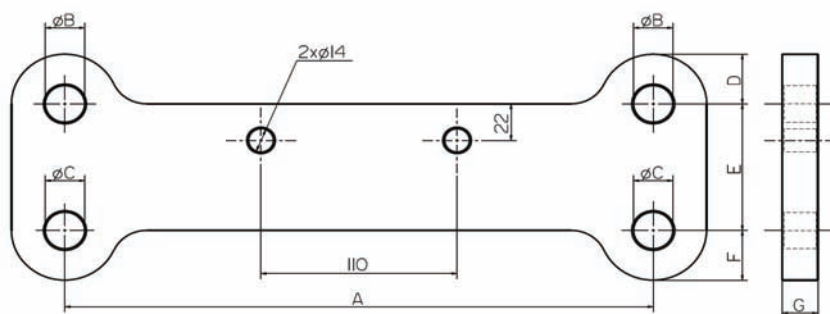
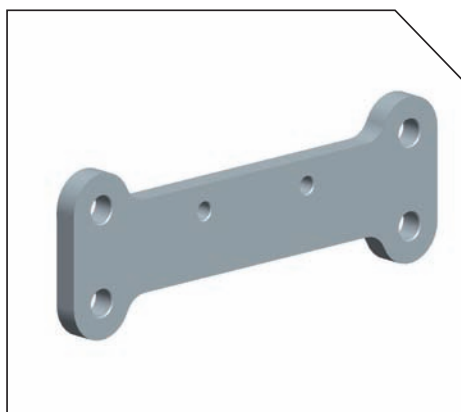
HARDWARE FITTINGS



H TYPE YOKE PLATE - FOR ARCING HORN

GENERAL DESIGN

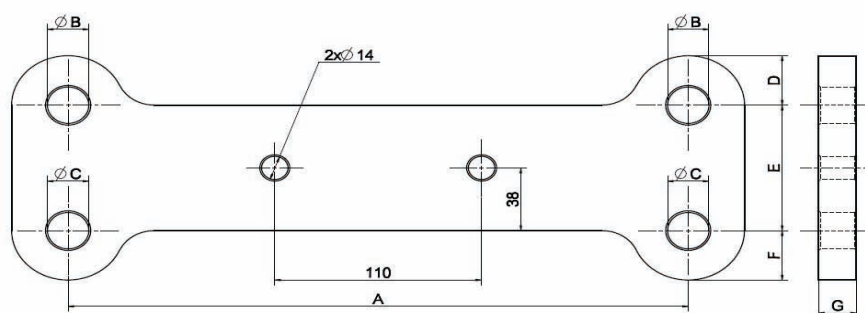
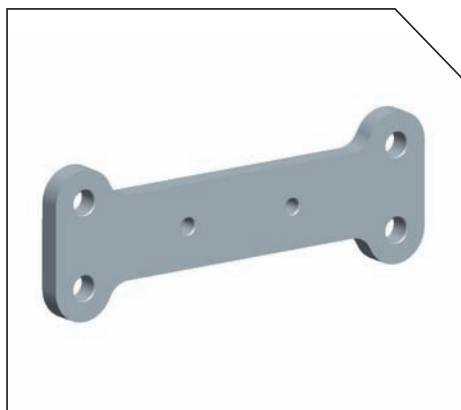
Part Number	Drawing Number	Min. Breaking Strength (kN)	A (mm)	B (mm)	C (mm)	D (mm)	E (mm)	F (mm)	G (mm)
859356-000	A4DD07719T	137	400	Ø22	Ø18	28	76	28	16
025322-000	A3DD4757T	260	400	Ø22	Ø24	28	76	28	22
738616-000	A4DD16991T	160	450	Ø18	Ø18	30	76	30	16
887030-000	A4DD16716T	240	450	Ø18	Ø18	28	76	28	20
247392-000	A4DD17281T	320	500	Ø22	Ø22	30	76	30	22



Material: Galvanized Steel

GENERAL DESIGN

Part Number	Drawing Number	Min. Breaking Strength (kN)	A (mm)	B (mm)	C (mm)	D (mm)	E (mm)	F (mm)	G (mm)
595886-000	A4DD07391T	160	400	Ø22	Ø18	28	76	28	20
626320-000	A4DD16842T	320	400	Ø22	Ø22	30	76	30	22



Material: Galvanized Steel